

Please read the following instructions carefully and completely before use. Correct application is required to ensure proper function of the device.

**Intended for single patient use.**

## BASSINET INSTRUCTIONS FOR USE

1. Fold section B of the holder up and over bassinet. (Figure 1)
2. Secure side straps (A1 and A2), located at hip level, to the back of bassinet to section B. Proceed to step 2 of Instructions for Use below to secure infant.

## FULL SIZE CRIB INSTRUCTIONS FOR USE

1. Elevate the mattress to the desired angle as recommended by physician based on suggested treatment.
2. Evenly place the Danny Sling on top of the crib sheet. Make sure it is smooth and lays flat without any wrinkles.
3. Secure the top straps (C1 and C2) to the head rail or corner post and secure the side ties (D1 and D2) to the mattress springs. (Figure 2)
4. Open the rib/waist band (E1 and E2) (large 3" wide webbing) properly place infant on the Danny Sling as directed by the physician. (Figure 3)
5. Bring bottom piece (F) up. Place between infants legs and line up at the bottom of the infants waist or armpits. (Figure 3) Ensure that velcro piece is in place and securely fastened to bottom piece F.
6. Ensure that velcro<sup>®</sup> piece is in place and securely fastened to piece (E1). Secure velcro on rib/waist bands (E1) onto velcro on bottom piece (F).
7. Ensure that velcro piece is in place and securely fastened to piece E2. Secure velcro on rib/waist bands (E2) onto velcro on bottom piece (F). A snug fit, only one finger width between the infant and the rib belt, will help keep the infant from slipping.
8. Secure all ties to prevent the infant from becoming entangled in any loose ties. All velcro fasteners should be securely fastened to properly secure the infant, as illustrated in Figure 1 or 5. Inappropriate fastening could lead to infant injury or death.

**NOTE:** Product No. 0814 1018 has a basted seam near the groin area that can be snipped with scissors and released to lengthen the sling to accommodate longer infants. Be careful NOT to open the actual seam.

**NOTE:** Please refer to sew-in label on device for care instructions. Please visit our website at [www.birdcronin.com](http://www.birdcronin.com) for additional product information or contact a customer care representative at 800-328-1095.

**NOTICE:** Every effort has been made to obtain the maximum compatibility of function, strength, durability and comfort with this product, however, there is no guarantee that injury will be prevented with its use.

### ⚠ WARNINGS:

- Consult with your health care provider for proper recommended infant position (back, side, stomach).
- Use safe and secure method to elevate one end of mattress if directed by physician.
- This Product is sized for infants from 2-18 lbs. Consult physician for recommended size.
- **Prevent serious injury or death:**
  - Never leave child unattended.
  - This product is not intended for unsupervised or prolonged periods of sleep.

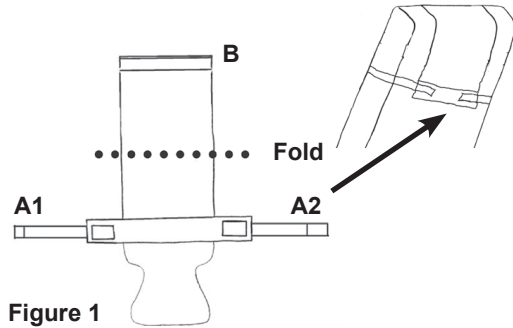


Figure 1

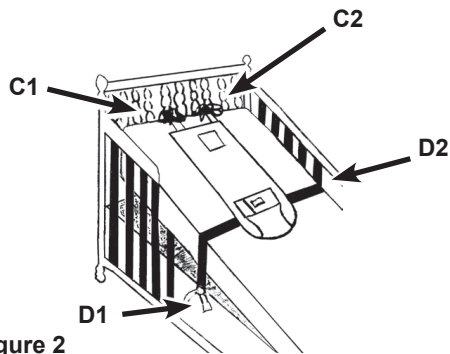


Figure 2

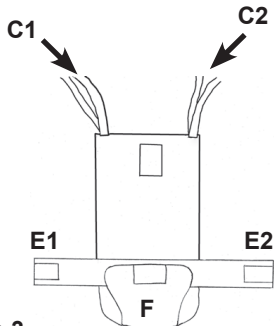


Figure 3

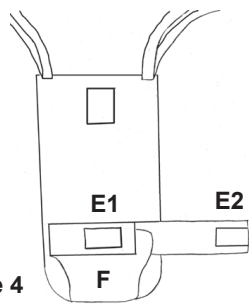


Figure 4

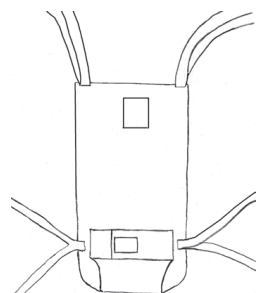


Figure 5



**NOT MADE WITH NATURAL RUBBER LATEX**

1200 Trapp Road Eagan, MN USA 55121

[www.BirdCronin.com](http://www.BirdCronin.com)

Reorder No. 0814 0610

800-328-1095

Velcro is a registered trademark of Velcro Companies.

10008031B